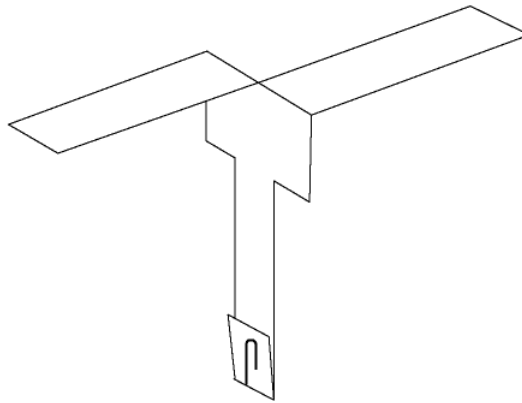
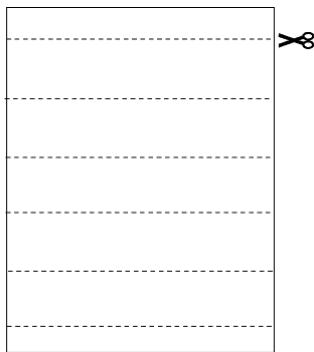


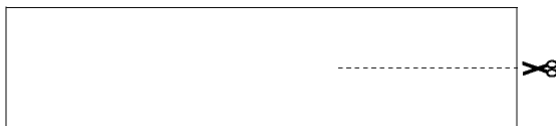
## Helicopter



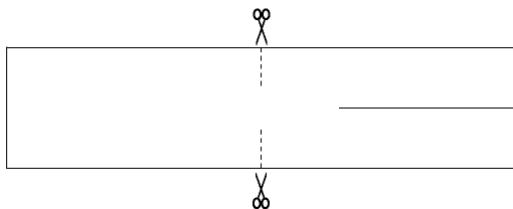
The helicopter is a classic design that spins rapidly as it descends. It works great when dropped from a high place. Try different amounts of weight on the bottom tab. Notice that the helicopter spins in different directions depending on which direction the rotors are folded.



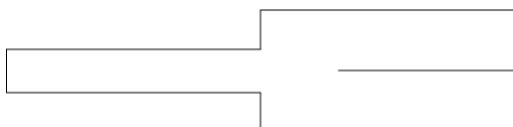
Cut out all five helicopter templates by cutting along line 1.



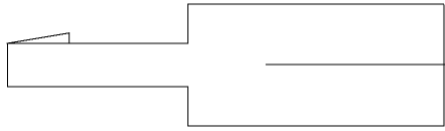
Cut along cut line 2.



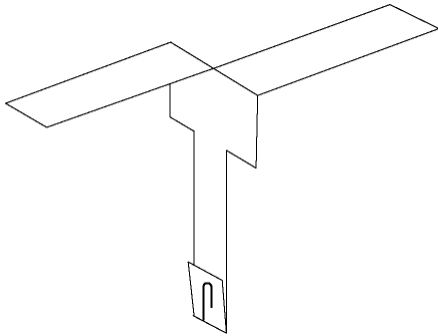
Cut along cut line 3.



Fold flaps toward each other along fold lines 4. One will overlap the other.



Fold up bottom tab along fold line 5.



Fold rotors down along fold lines 6 in opposite directions. Attach a paper clip to the bottom tab to add weight. Drop from high over your head and watch the helicopter spin as it descends slowly.

